

THIS DRAWING IS UNPUBLISHED.

RELEASED FOR PUBLICATION

-. - .

© COPYRIGHT - By -

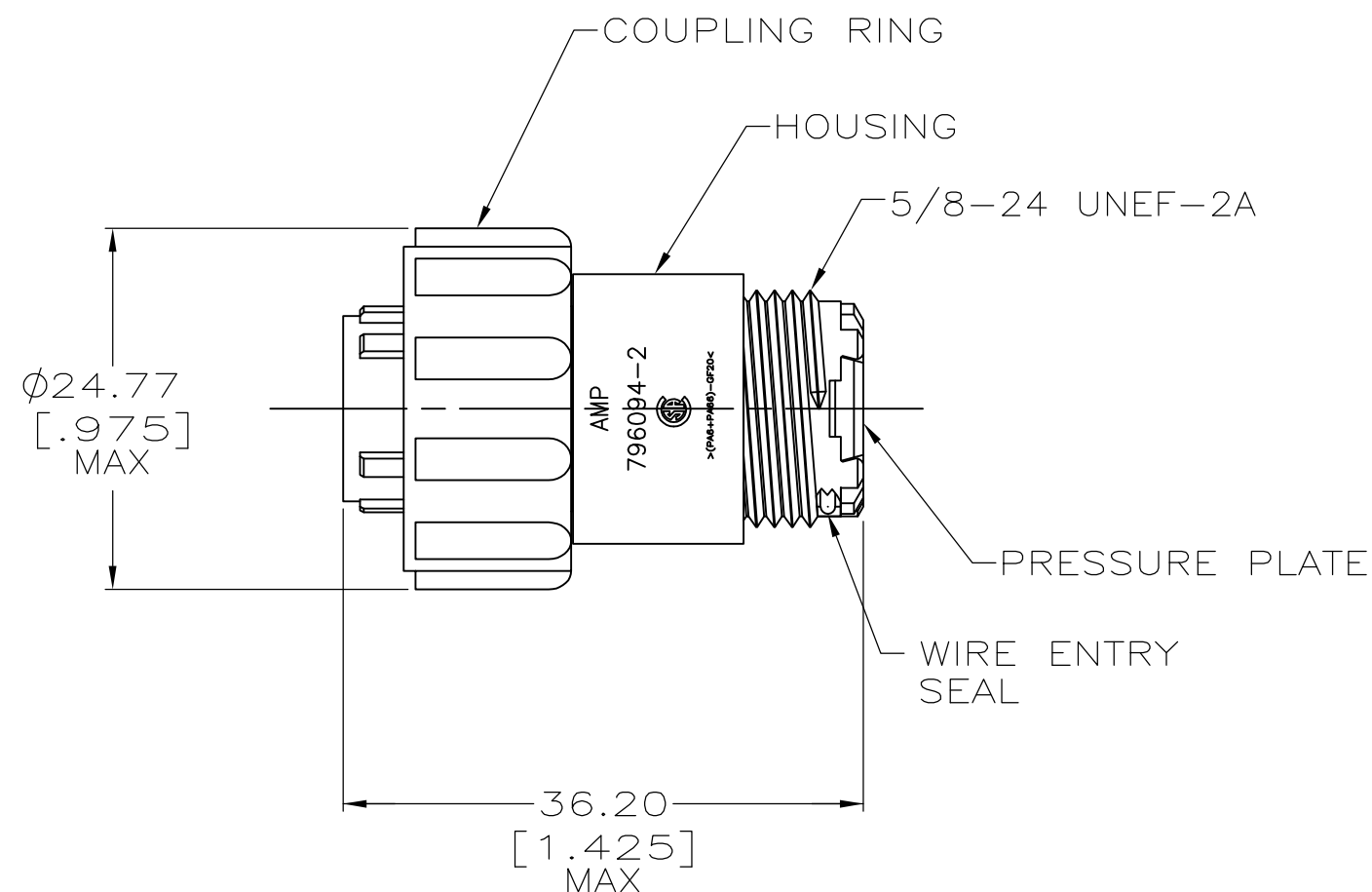
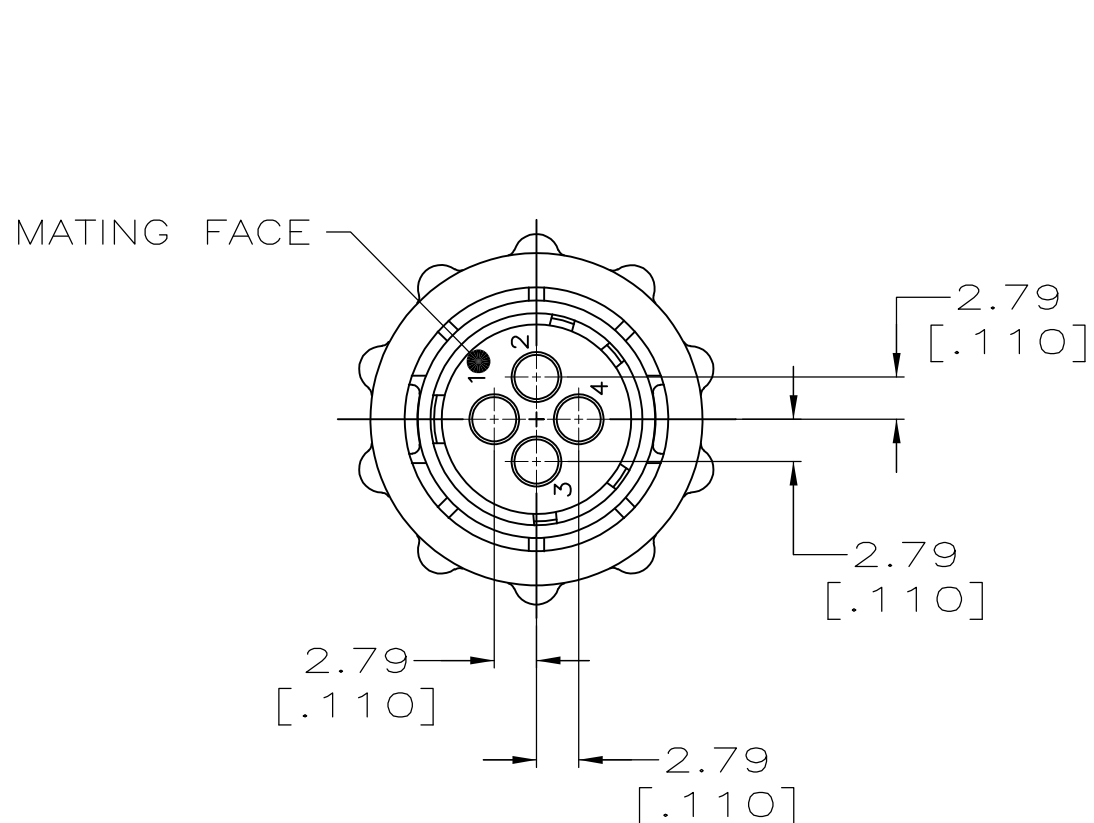
ALL RIGHTS RESERVED.

LOC
FT

DIST
0

REVISIONS

P	LTR	DESCRIPTION	DATE	DWN	APVD
	B1	REVISED PER ECO-11-004917	11MAR11	RK	HMR



1. THIS PART WILL ACCEPT FOUR (4) MULTIMATE SOCKET CONTACTS.

2. COUPLING RING, HOUSING, AND PRESSURE PLATE: NYLON, BLACK. WIRE ENTRY SEAL: ELASTOMER, RED-IRON OXIDE.

3. PRELIMINARY PART NUMBER.

3	PULL FREE	796094-4
	METAL	796094-3
	STANDARD	796094-2
	COUPLING RING STYLE	PART NUMBER

THIS DRAWING IS A CONTROLLED DOCUMENT.		DWN C.DORWART 31 AUG 98	STE TE Connectivity		
DIMENSIONS: mm [INCHES]		CHK R.WALTER 31 AUG 98			
TOLERANCES UNLESS OTHERWISE SPECIFIED:		APVD R.WALTER 31 AUG 98	NAME PLUG ASSEMBLY, 11-4, STANDARD SEX, SERIES I, SEALED, CIRCULAR PLASTIC CONNECTOR		
0 PLC ± -		PRODUCT SPEC	SIZE		
1 PLC ± -		APPLICATION SPEC	CAGE CODE		
2 PLC ± 0.13 [.005]		WEIGHT	DRAWING NO		
3 PLC ± -		CUSTOMER DRAWING	RESTRICTED TO		
4 PLC ± -			A3 00779 C-796094		
ANGLES ± -			SCALE 2:1		
FINISH			SHEET 1 OF 1		
MATERIAL			REV B1		